



Gas or Wood Fireplace Insert Installation Worksheet

There are many variables to consider in determining what product is the best fit for your home. Print out and fill in the appropriate worksheet and bring it in when you visit your local dealer. This worksheet will help your dealer better understand your installation requirements so that you get the best hearth product based on your home layout and heating requirements.

About Inserts

Inserts are specifically designed to fit into the opening of an existing metal (zero clearance) or masonry fireplace. Essentially, an insert is composed of a metal housing that contains the fire, ceramic glass windows, a faceplate (usually decorative) that covers the junction between the firebox and the edge of the existing fireplace cavity, and an air intake and exhaust system.

Sizing Your Fireplace For An Insert

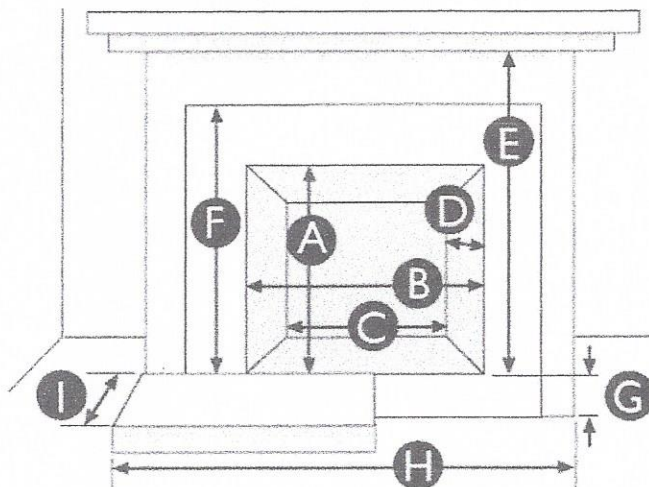
1. What purpose will the fireplace insert fill?
 - a) Zonal or Supplemental Heating OR Whole Home Heating
2. What room or rooms (determine square footage) will the insert be used to heat? _____ sq. ft.
3. Do you have natural gas or propane and has it been piped to the fireplace? YES NO
4. Is the fireplace of Masonry or Zero Clearance (Metal) construction?
5. Are you adding an insert to an open fireplace or are you replacing an existing insert ?

It would be helpful to jot down these basic measurements. Your hearth professional can assess your installation, and help select the correct fireplace insert for your heating needs.

How tall is your chimney from fireplace floor to rain cap. _____
 What is your chimney size on inside = _____ Is it metal or claytile flue pipe _____
 what is your lintel depth? _____

Your Fireplace Measurements

- A = Opening Height _____
- B = Width in Front _____
- C = Width in Back _____
- D = Depth of Fireplace _____
- E = Hearth to Mantle _____
- F = Hearth to Combustible Facing _____
- G = If the fireplace is raised above the hearth, what is the distance from the hearth to the fireplace opening? _____
- H = Width of Hearth _____
- I = Depth of Hearth _____



Additional Useful Information

If you can, bring in a photo of your fireplace and a photo of the outside of your home showing the chimney on the house.